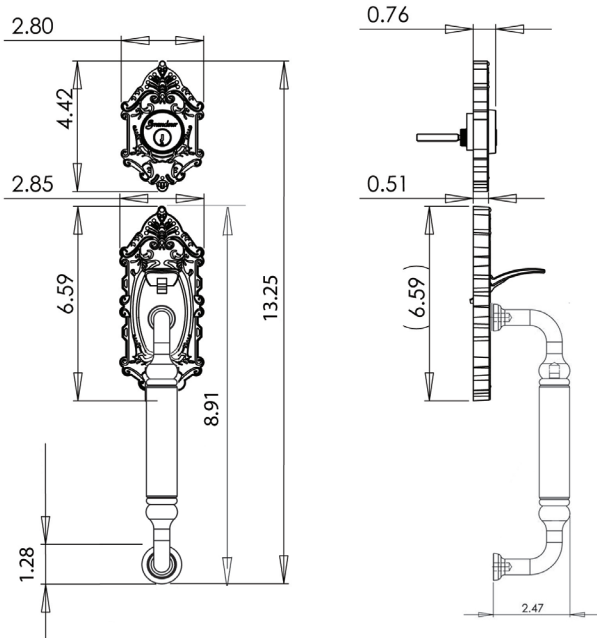


TECHNICAL SPECIFICATIONS

Grande Victorian Handleset – C Grip



- > Collection: Grandeur
- > Design code: GVCCGR
- > Material: Solid Forged Brass
- > Functions: Single Cylinder

Minimum bore distance center to center is 4-3/8"



Grande Victorian Handleset shown in Antique Pewter