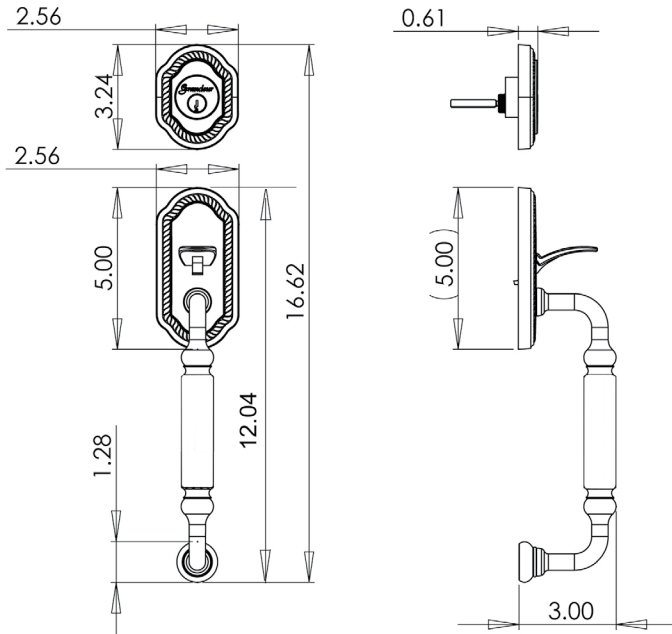


TECHNICAL SPECIFICATIONS

Newport Handleset – C Grip



- > Collection: Grandeur
- > Design code: NEWCGR
- > Material: Solid Forged Brass
- > Functions: Single Cylinder

Minimum bore distance center to center is 4-1/2"



Newport Handleset shown in Satin Nickel