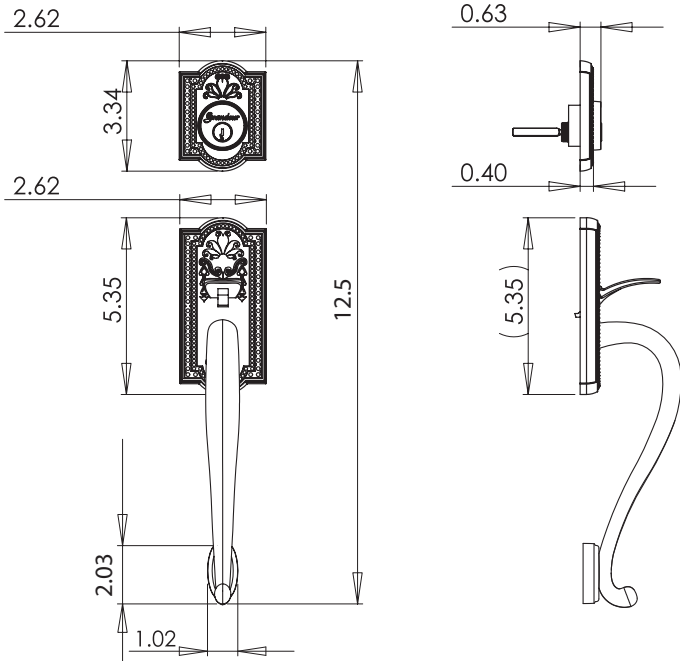


TECHNICAL SPECIFICATIONS

**Windsor Handleset – S Grip**



- > Collection: Grandeur
- > Design code: WINSGR
- > Material: Solid Forged Brass
- > Functions: Single Cylinder

Minimum bore distance center to center is 5-1/4"



Windsor Handleset shown in Lifetime Brass