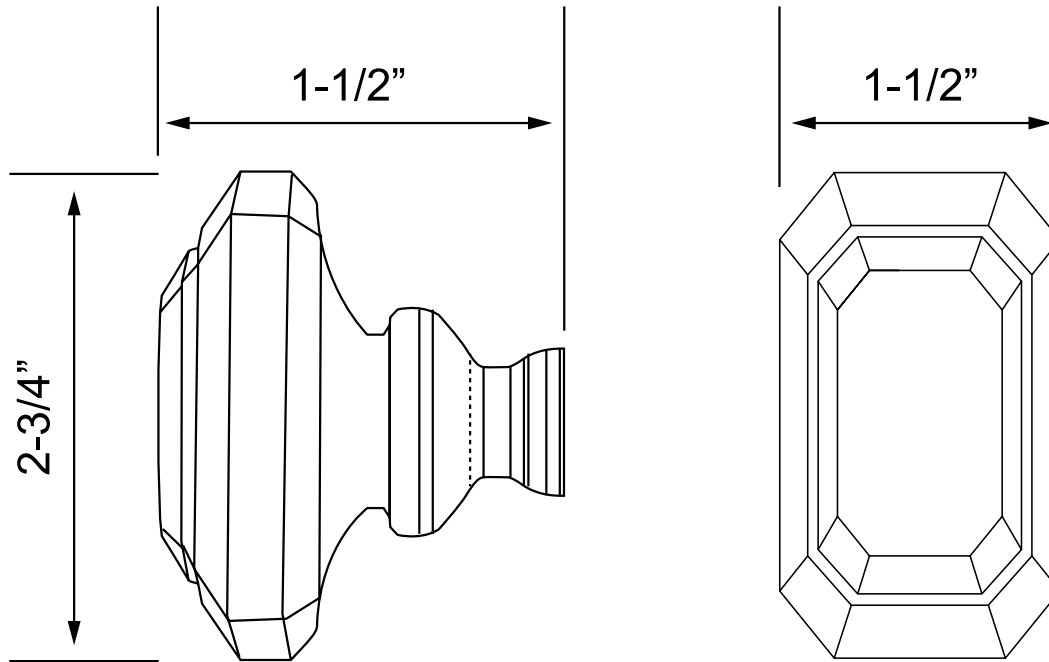


Baguette Amber Crystal Knob



TECHNICAL SPECIFICATIONS

Design code:	BCA
Dimensions:	2.75" H x 1.5" W
Knob Projection:	2.25"
Material:	24% Lead Crystal and Solid Forged Brass

Bouton Knob can be combined with any
Grandeur plate or rosette.

Visit our website and use our
[HARDWARE DESIGNER](#)
to create your own unique combination.

FINISH OPTIONS:

