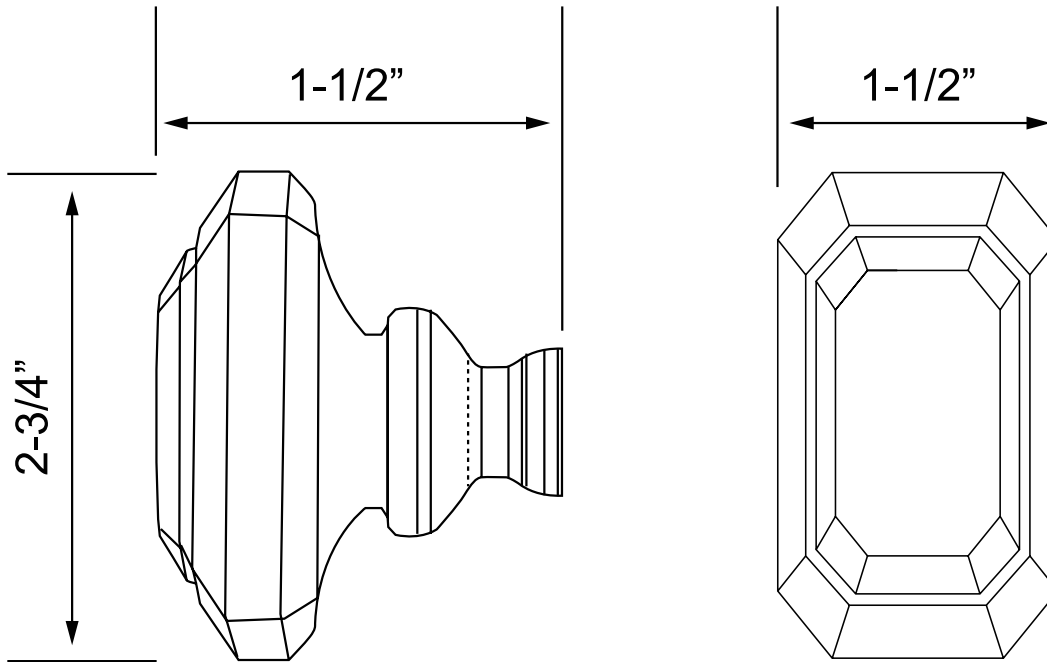


## Baguette Clear Crystal Knob



### TECHNICAL SPECIFICATIONS

Design code:	BCC
Dimensions:	2.75" H x 1.5" W
Knob Projection:	2.25"
Material:	24% Lead Crystal and Solid Forged Brass

Bouton Knob can be combined with any  
Grandeur plate or rosette.

Visit our website and use our  
[HARDWARE DESIGNER](#)  
to create your own unique combination.

### FINISH OPTIONS:

