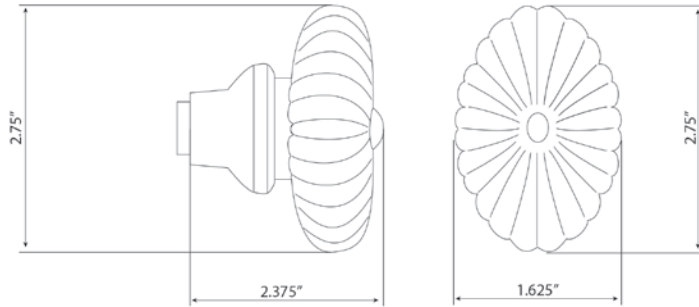


TECHNICAL SPECIFICATIONS

---

## Burgundy Crystal Knob



- > Collection: Grandeur
- > Design code: BUR
- > Material: 24% lead crystal



Burgundy Crystal Knob shown in Satin Nickel