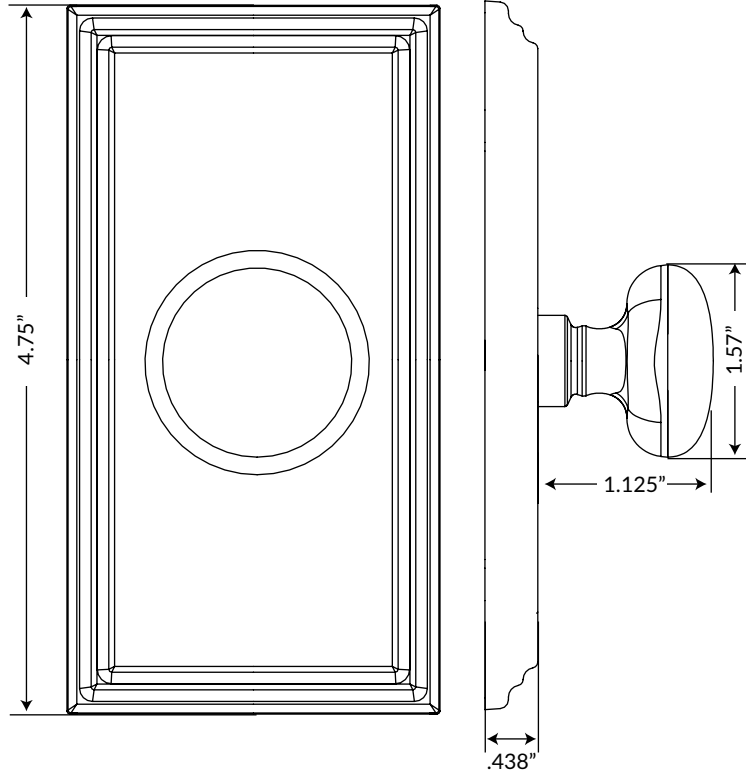


Carré Deadbolt



TECHNICAL SPECIFICATIONS

Collection:	Carré
Design code:	CAR
Plate Dimensions:	4.75" H x 2.5" W
Plate Thickness:	0.438"
Thumbturn Height:	1.57" H
Thumbturn Projection:	1-1/8"
Material:	Solid Forged Brass
Functions:	Single or Double Cylinder
Cylinder:	5-pin, C-keyway
Backset:	2-3/8" (Standard) 2-3/4" (Available)
Door Thickness:	1-3/4" to 2-1/4"

FINISH OPTIONS:



Visit our website and use our
[HARDWARE DESIGNER](#)
to create your own unique combination.