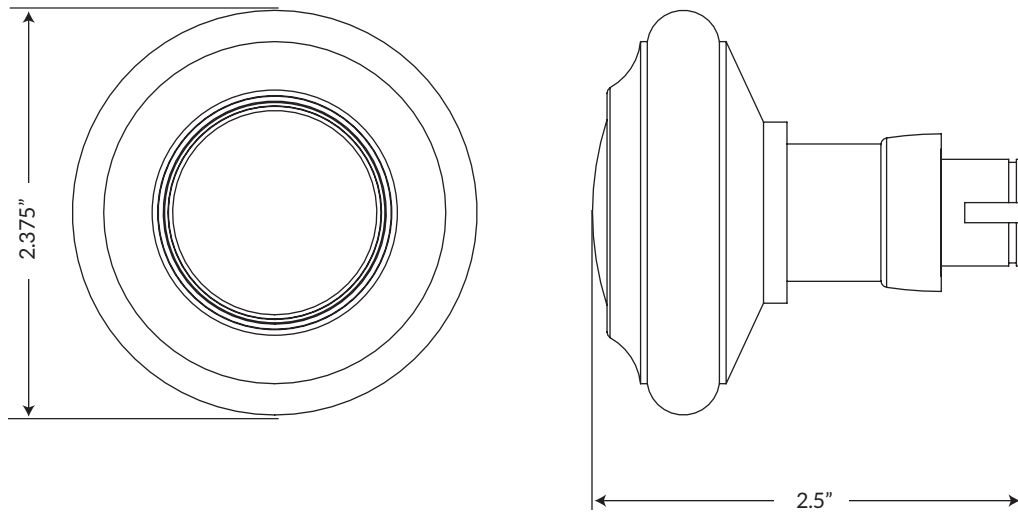


Circulaire Knob



TECHNICAL SPECIFICATIONS

Collection:	Circulaire
Design code:	CIR
Dimensions:	2.375" Diameter
Knob Projection:	2.5"
Material:	Solid Forged Brass

Circulaire Knob can be combined with any Grandeur plate or rosette.

Visit our website and use our [HARDWARE DESIGNER](#) to create your own unique combination.

FINISH OPTIONS:



ANTIQUÉ PEWTER (AP)



LIFETIME BRASS (LB)



POLISHED BRASS (PB)



POLISHED NICKEL (PN)



SATIN NICKEL (SN)



TIMELESS BRONZE (TB)



VINTAGE BRASS (VB)