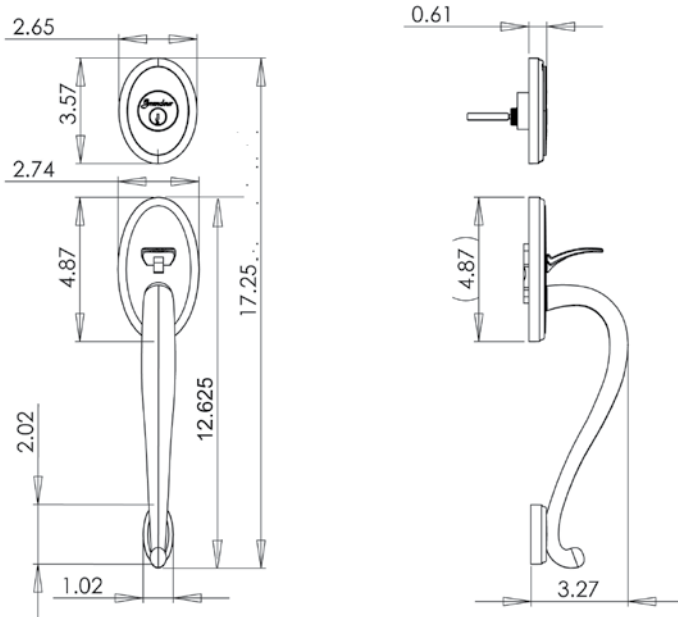


TECHNICAL SPECIFICATIONS

Georgetown Handleset – S Grip



- > Collection: Grandeur
- > Design code: GEOSGR
- > Material: Solid Forged Brass
- > Functions: Single Cylinder

Minimum bore distance center to center is 4-5/8"



Georgetown Handleset shown in Lifetime Brass