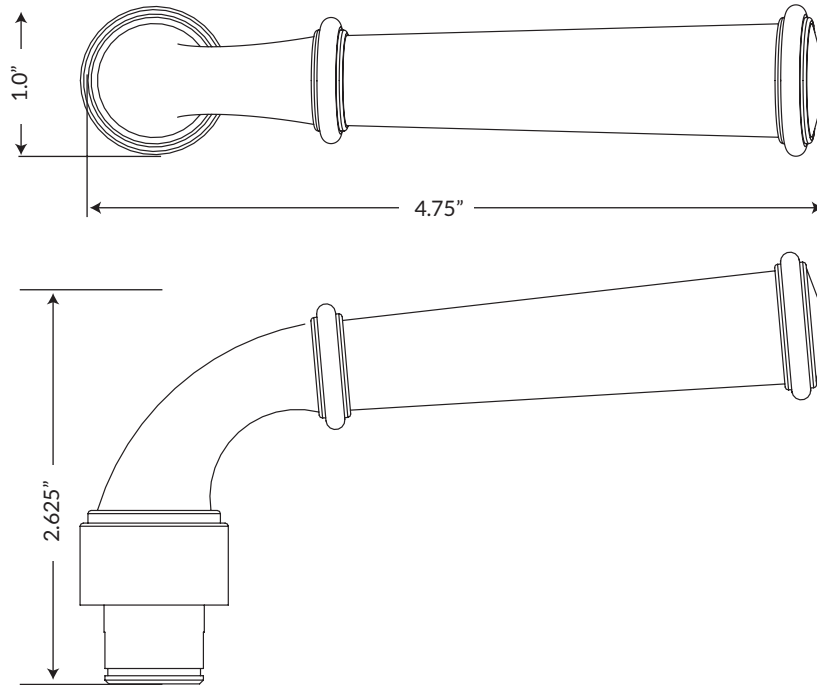


Georgetown Lever



TECHNICAL SPECIFICATIONS

| | |
|--------------------------|--------------------|
| Collection: | Georgetown |
| Design code: | GEO |
| Dimensions: | 4.75" L x 1" H |
| Lever Projection: | 2.625" |
| Material: | Solid Forged Brass |

Georgetown Lever can be combined with any Grandeur plate or rosette.

Visit our website and use our [HARDWARE DESIGNER](#) to create your own unique combination.

FINISH OPTIONS:



ANTIQUE PEWTER (AP)

LIFETIME BRASS (LB)

POLISHED BRASS (PB)



POLISHED NICKEL (PN)



SATIN NICKEL (SN)



TIMELESS BRONZE (TB)



VINTAGE BRASS (VB)