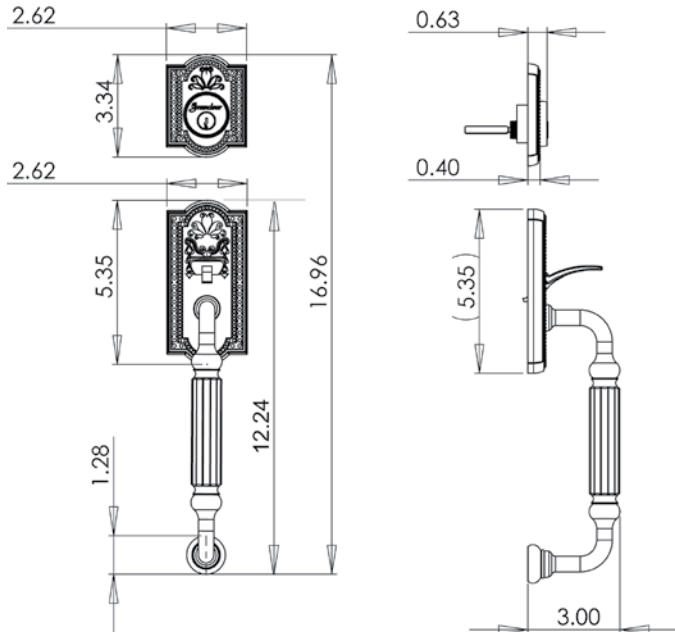


TECHNICAL SPECIFICATIONS

**Parthenon Handleset – F Grip**



- > Collection: Grandeur
- > Design code: PARFGR
- > Material: Solid Forged Brass
- > Functions: Single Cylinder

Minimum bore distance center to center is 4-3/8"



Parthenon Handleset shown in Timeless Bronze