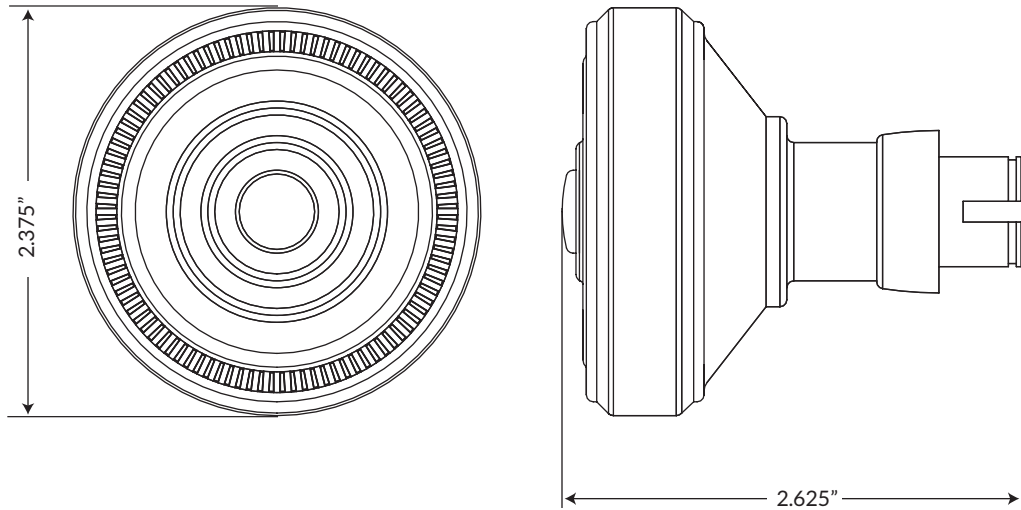


Soleil Knob



TECHNICAL SPECIFICATIONS

Collection:	Soleil
Design code:	SOL
Dimensions:	2.375" Diameter
Knob Projection:	2.625"
Material:	Solid Forged Brass

Soleil Knob can be combined with any Grandeur plate or rosette.

Visit our website and use our [HARDWARE DESIGNER](#) to create your own unique combination.

FINISH OPTIONS:

