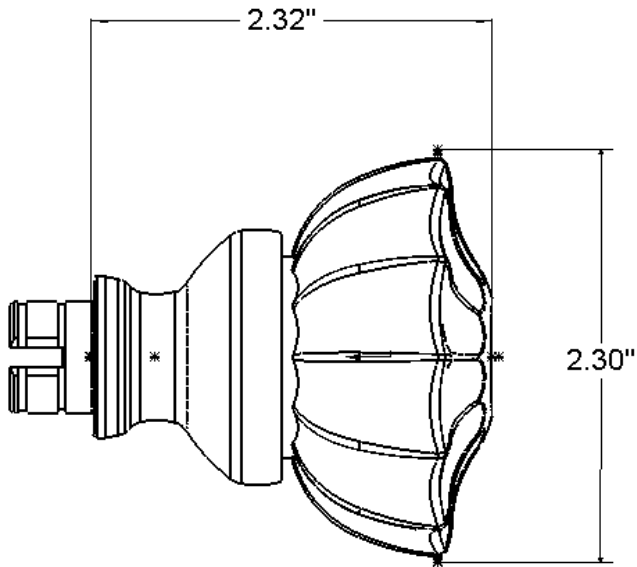


TECHNICAL SPECIFICATIONS

Versailles Knob



- > Collection: Grandeur
- > Design code: VER
- > Material: 24% lead crystal



Versailles Knob shown in Timelass Bronze